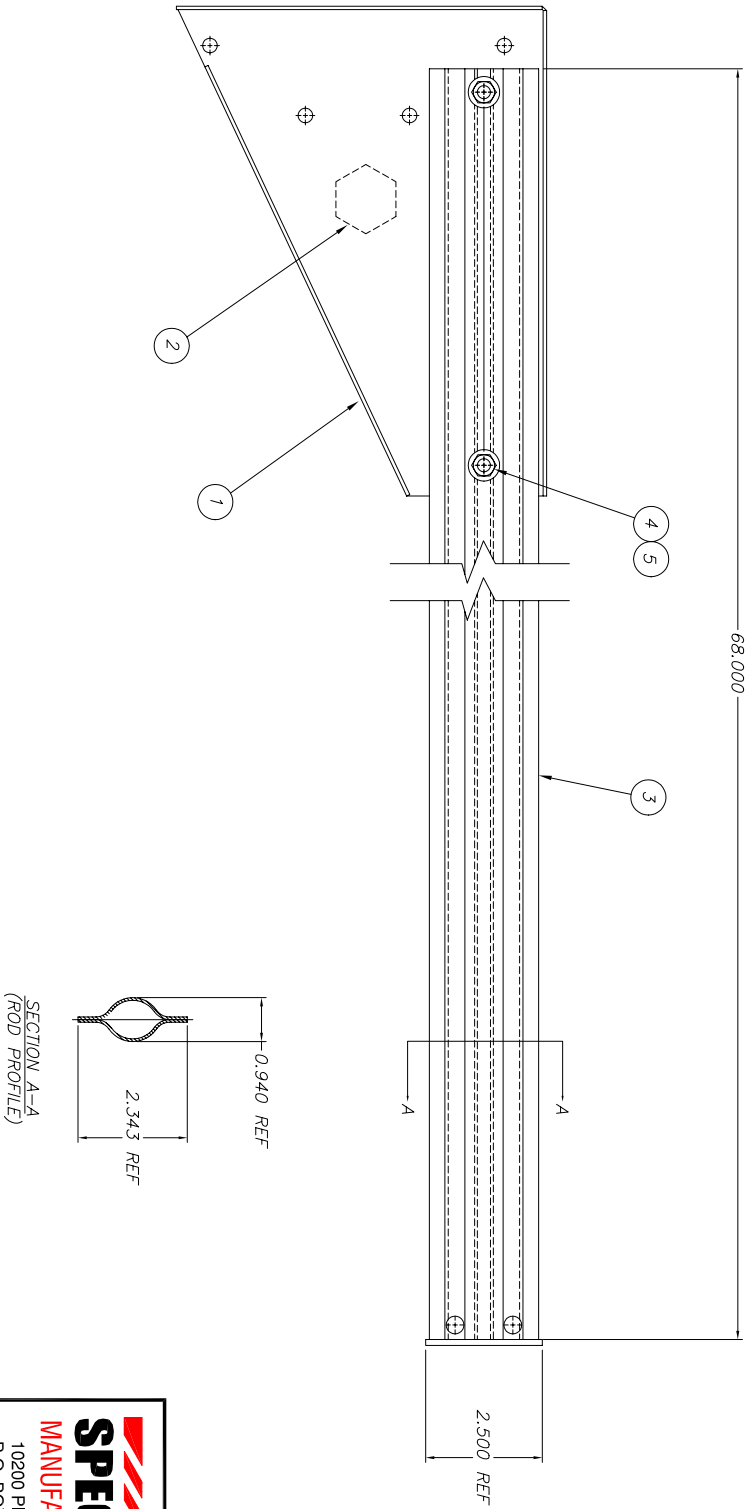


ITEM	PART NO.	QTY	DESCRIPTION
1	000127	1	PLATE, POLY ROD X/A
2	000107	1	DECAL - SPECIALTY
3	068003	1	ROD, YELLOW POLYCARBONATE
4	000151	2	NUT, 1/4-20 NYLON LOCK
5	000147	2	WASHER, 1/4" ID FLAT



SPECIALTY MANUFACTURING INC.
 10200 PINEVILLE ROAD
 P.O. BOX 790
 PINEVILLE, NC 28134

DRAWN BY: E. SWANGER
 DATE: 11/15/94
 MATERIAL: SEE BOM
 FINISH: —
 SCALE: 1 OF 1
 SHEET SIZE: B
 TOLERANCES (EXCEPT AS NOTED):
 DECIMAL: .XXX ± .010 XX ± .03
 ANGULAR: ± 1°

DESCRIPTION: ASSY - BLADE, POLYCARBONATE ROD

THE INFORMATION CONTAINED HEREIN IS THE PROPRIETARY DATA OF SPECIALTY MANUFACTURING CO., AND IS NOT FOR DISSEMINATION OR DISCLOSURE IN WHOLE OR IN PART, FOR ANY PURPOSE OTHER THAN THAT FOR WHICH IS IS SUBMITTED, EXCEPT AS EXPLICITLY AUTHORIZED IN WRITING BY SPECIALTY MANUFACTURING CO.

DIRECTORY C:/ACAD/CUST-DWG FILE NAME 068150-0F	DRAWING/PART NO. 068150-0	REV. F
---	------------------------------	-----------