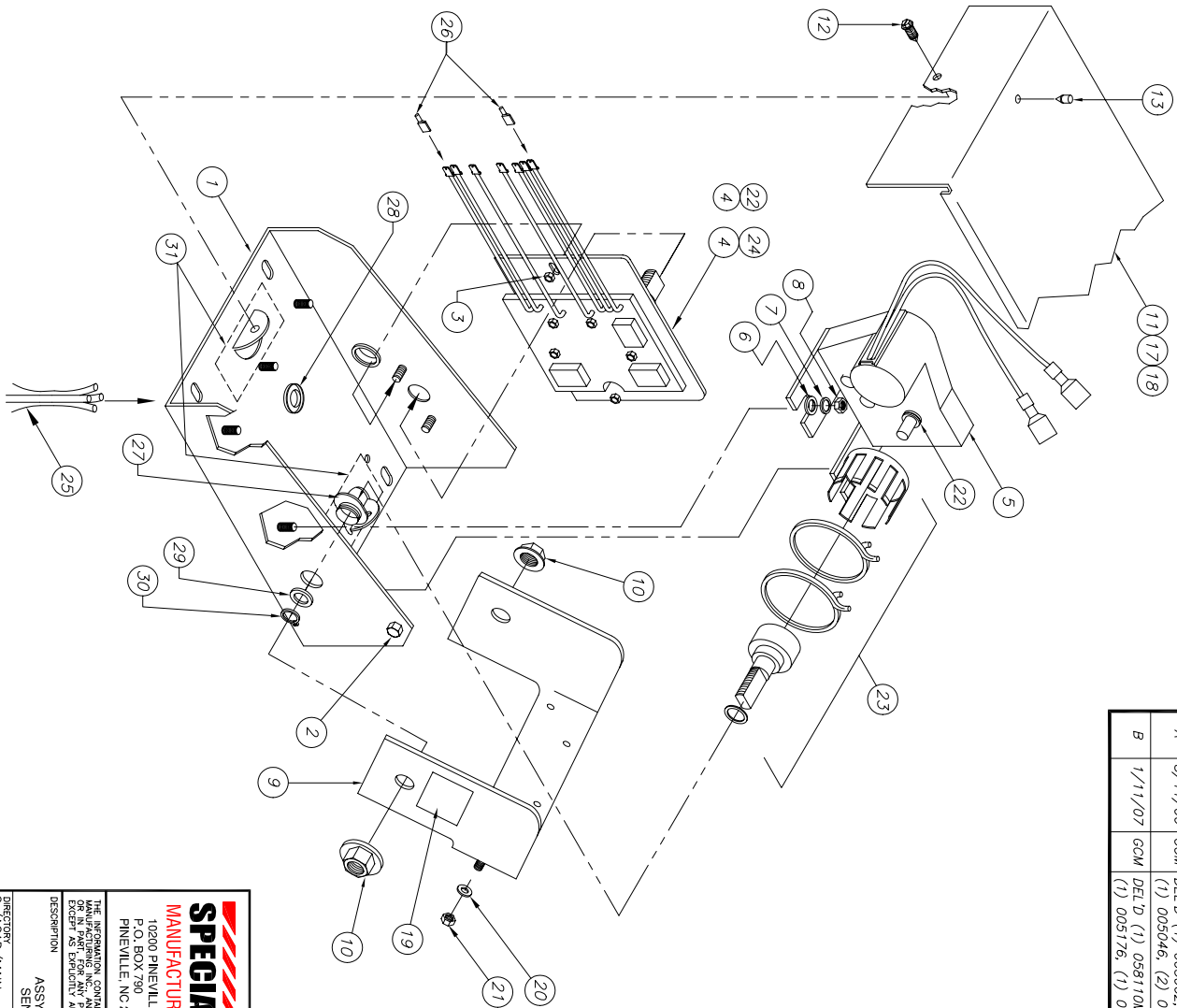


ITEM	PART NO.	QTY	DESCRIPTION
1	058111	1	BASE, X/A 5-SER, PAINTED
2	008044	1	BOLT, 1/4-20 X .50 HEX
3	005832	2	INSERT HEX NUT, NYLON 8-32
4	005150-L	1	MODULE, ELEC, SENTINEL W/ FLYING LEADS
5	005014	1	MOTOR, DC
6	000147	2	WASHER, 1/4 FLAT
7	000148	2	WASHER, 1/4 SPLIT LOCK
8	000143	2	NUT, 1/4-20 HEX
9	005168	1	HINGE - PAINTED W/ STUDS, 5 SERIES
10	005122	2	NUT, WHIZ, HX WASHER, 1/2-20
11	058125	1	COVER, 5 SERIES X/A
12	000137S	2	SCR, #10 X .5 HEX HD
13	000177	1	BUMPER, 1/16 GRV RUBBER
15	003025	1	TIE WRAP, 4.5" BLACK (NOT SHOWN)
17	005999	1	LABEL, SERIAL #, 5 SERIES
18	000107	1	DECAL, SPECIALTY, S/A & C/A BASE
19	005046	1	DECAL, "NO STEP"
20	000104	4	WASHER, .030 X .265 X .056 NYLON
21	000142	4	NUT, 1/4-20, NYLON INSERT, LOCK
22	005065	1	SEAL-V
23	005108	1	ASSY, 5-SERIES CLUTCH
24	005152	1	DECAL FOR SENTINEL MODULE
25	005147-1	1	HARNESS, WIRE
26	004024	2	TERM. PAN DFN14 FEMALE
27	005176	1	BUSHING, 1/2" ID, NYLON W/ TABS
28	003027	1	GROMMET
29	005164	1	WASHER, SS, 1" O.D.
30	005165	1	SNAP RING
31	005034	.006	TAPE, BLACK, 2" X 36 YDS



REV.	DATE	BY	NOTES
A	8/11/06	GCM	DEL'D (1) 005062, (1) 005047, ADD (1) 005108, (1) 005046, (2) 004024
B	1/11/07	GCM	DEL'D (1) 058110M-05 ADD (1) 058111, (1) 003027, (1) 005176, (1) 005165, (1) 005164, (.006) 005034

SPECIALTY MANUFACTURING INC.
 10200 PINEVILLE ROAD
 PINEVILLE, NC 28134

THE INFORMATION CONTAINED HEREIN IS THE PROPRIETARY DATA OF SPECIALTY MANUFACTURING INC. AND IS NOT TO BE REPRODUCED OR TRANSMITTED IN ANY FORM OR BY ANY MEANS, ELECTRONIC OR MECHANICAL, INCLUDING PHOTOCOPYING, RECORDING, OR BY ANY INFORMATION STORAGE AND RETRIEVAL SYSTEM, WITHOUT PERMISSION IN WRITING BY SPECIALTY MANUFACTURING INC.

DESCRIPTION: ASSY, X-AIRM - BASE, ELECTRIC SENTINEL W/ FLYING LEADS

SCALE: 1" = 1" (TOLERANCES UNLESS NOTED)
 DECIMAL: .XXX ± .010 XX ± .03
 ANGULAR: ± 1°

REV. DATE: 5/9/06
 GCM
 SHEET 1 OF 8
 FINISH: AS NOTED

DIRECTOR / C/LOAD / MAIN	058110M	REV. B
PRMNG/PART NO.	058110M	